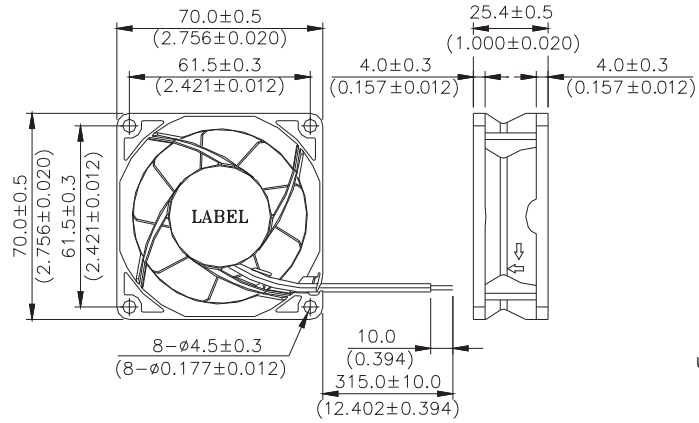


# LFB 70 x 70 x 25.4 MM SERIES

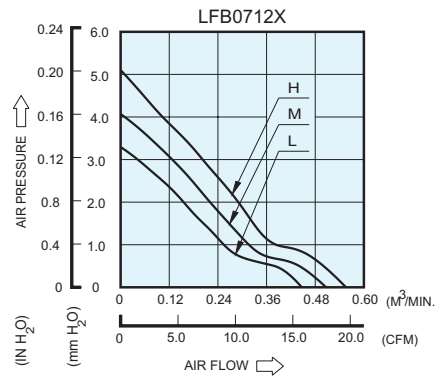
## DIMENSIONS DRAWING



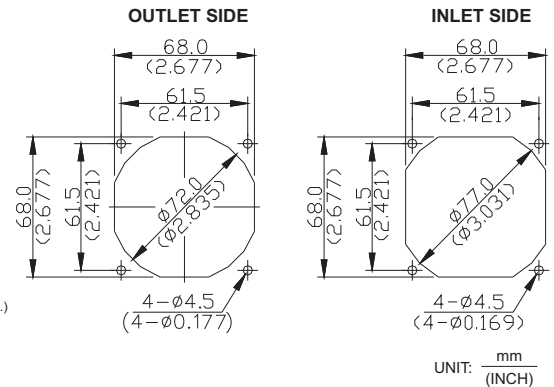
UNIT: mm  
(INCH)

- \* Bearing Type  
Ball Bearings
- \* Material  
Impeller & Frame : Plastic (UL 94V-0)
- \* Lead Wires :  
UL 1430 AWG #26 OR Equivalent  
Red Wire Positive (+)  
Black Wire Negative (-)
- \* Weight : 80.0g (2.82 oz)

## P & Q CURVE (AT RATED VOLTAGE)



## MOUNTING PANEL CUTOUT



UNIT: mm  
(INCH)

MODEL		Rated Voltage	Operating Voltage Range	Input Current	Input Power	Speed	Maximum Air Flow		Maximum Air Pressure		Noise
PART NO.	FUNCTION	VDC	VDC	Amp	Watt	R.P.M.	m <sup>3</sup> /min	CFM	mmH <sub>2</sub> O	IN H <sub>2</sub> O	dB-A
LFB0712L	-R00 / -F00	12	7.0 to 13.8	0.09	1.08	3000	0.447	15.79	3.30	0.130	27.4
LFB0712M	-R00 / -F00	12	7.0 to 13.8	0.10	1.20	3400	0.507	17.90	4.07	0.160	30.2
LFB0712H	-R00 / -F00	12	7.0 to 13.8	0.11	1.32	3800	0.556	19.64	5.10	0.201	32.1

\* Function type is optional.  
 \* The max. air flow and the speed are measured in free air ; max. air pressure is measured at zero air flow.  
 \* Noise is measured in anechoic chamber in free air, one meter from intake side.  
 \* All readings are typical values at rated voltage.  
 \* Specifications are subject to change without notice.